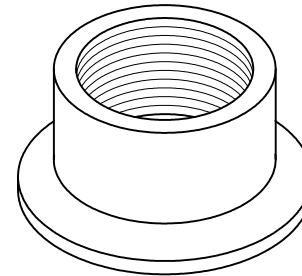
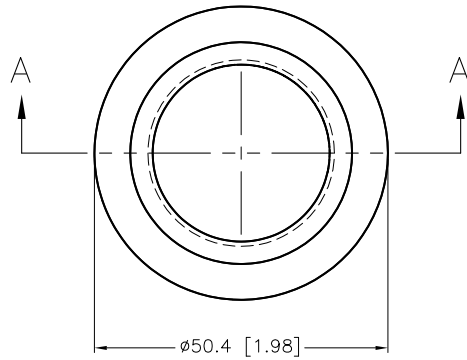


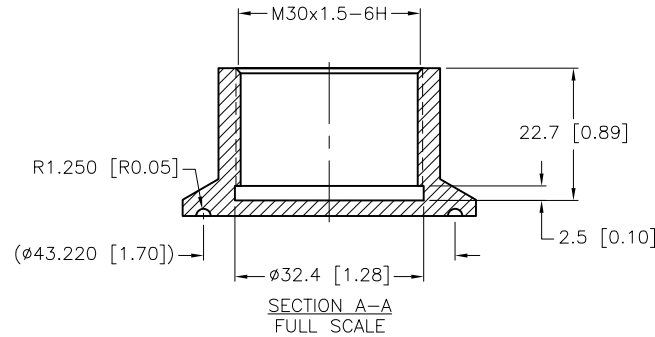
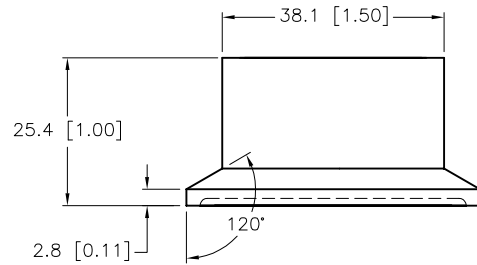
NOTES:

1. MATERIAL: PTFE.
2. PART SHALL BE BURR FREE.
3. BREAK ALL SHARP EDGES 0.3 MAX.
4. SURFACE FINISH: 125 MICRINCHES UNLESS OTHERWISE SPECIFIED.
5. ALL RADII AND CHAMFERS:

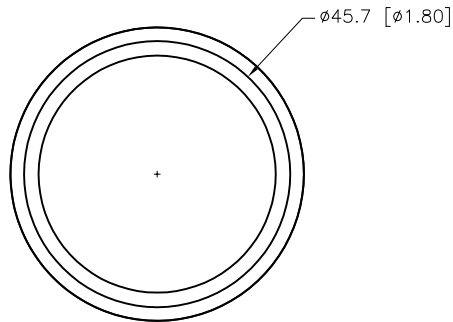
FROM 0.3mm UP TO 3mm: ±0.3mm  
 OVER 3mm UP TO 6mm: ±0.5mm  
 OVER 6mm UP TO 30mm: ±1.0mm



ISOMETRIC VIEW  
 FULL SCALE



SECTION A-A  
 FULL SCALE



RELATED DOCUMENTS		3RD ANGLE PROJECTION		THIS DRAWING IS CONFIDENTIAL AND THE PROPERTY OF TURCK INC. USE OF THIS DOCUMENT WITHOUT WRITTEN PERMISSION IS PROHIBITED.		<b>TURCK INC</b> High Technology Sensors and Automation Controls 3000 CAMPUS DRIVE MINNEAPOLIS, MN 55441 1-800-544-7769 (763) 553-7300 (763) 553-0708 fax turck.com	
1. 2. 3. 4.				DRFT	RDS	DATE	03/03/04
MATERIAL		ALL DIMENSIONS DISPLAYED ON THIS DRAWING ARE FOR REFERENCE ONLY		DSGN	RT	SCALE	1=1.3
SEE NOTES		CONTACT TURCK FOR MORE INFORMATION		UNIT OF MEASUREMENT		DESCRIPTION	
SEE NOTES				MILLIMETER [ INCH ]		TWTS-1.5-30	
				DO NOT SCALE THIS DRAWING		IDENTIFICATION NO.	
						A5077	
						REV	
						B	
B REMOVE TRADEMARKED MATERIAL REFERENCES		CBM	11/16/12	40471		FILE: A5077	
REV	DESCRIPTION	BY	DATE	ECO NO.		SHEET 1 OF 1	